



AlsoEnergy Knowledge is ^{Clean} Power!

PowerTrackPlus™ and SolarComplete™

Custom Engineering and Software Solutions

For Your PowerTrack™ Solar PV Monitoring System

BENEFITS

Customized software solutions that address your needs

Engineering professionals dedicated to identifying and resolving any PV system problems

Design and review services to ensure that the system is performing optimally

Sophisticated tools and system models will audit and validate pre-production or existing systems

Contact Information

AlsoEnergy, LLC
PO Box 17877
Boulder, CO 80308
(303) 875-6311
info@AlsoEnergy.com
www.AlsoEnergy.com

PowerTrackPlus™ is AlsoEnergy's suite of customized software solutions, available for clients whose unique challenges are outside the scope of standard data collection and monitoring systems. PowerTrackPlus software and system services help you with custom requirements, from simple modifications and features, to complex integration with disparate financial and accounting software systems. With PowerTrackPlus design services, you get customized capabilities designed into your applications to maximize the effectiveness and usefulness of your solar PV system.

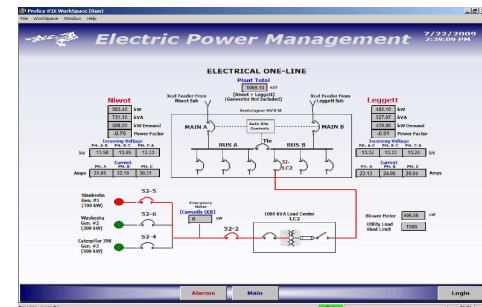
SolarComplete™ design and review services by AlsoEnergy's engineers ensure optimal efficiency and utilization of system resources for your solar PV system. Renewable energy investments can be optimized by providing independent validation of system performance using sophisticated tools and system models.

SolarComplete third party design review services provide an increased degree of design assurance. In addition to pre-production reviews and performance design validation, audits of existing systems can also be performed. The objective of each type of review is to determine possible modifications which could benefit the performance and thus, financial return of the system. **SolarComplete** services include:

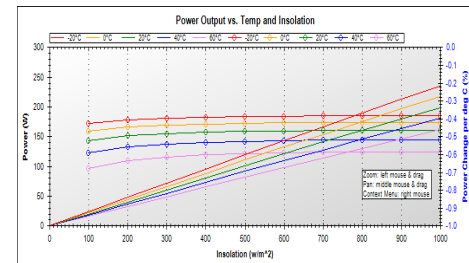
System Engineering: AlsoEnergy's engineers are available before and during construction to insure that your system is properly built and seamlessly integrated with its surrounding infrastructure.

Commissioning Services: The first month of operation is critical. AlsoEnergy will characterize and record baseline performance to quantify your results and identify problems when they occur due to age, soiling, equipment failures, shading, etc.

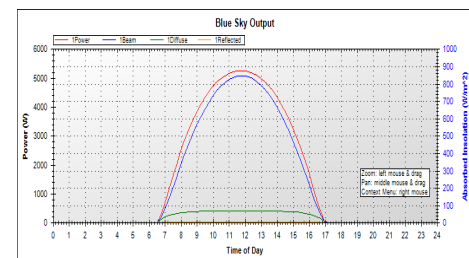
Software Customization: Off the shelf solutions don't address many PV system reporting requirements. Our software engineers will work with you to understand and develop solutions to satisfy your specific needs, to simplify and complete your reporting needs.



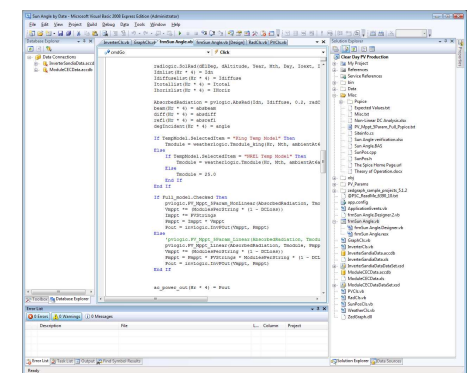
SCADA Integration



Component Modeling



System Modeling



Custom Development



AlsoEnergy Knowledge is ^{Clean} Power!

About AlsoEnergy

PRODUCTS AND SERVICES

PowerTrack™
Solar PV Monitoring provides analyses of PV system performance using real time data

PowerLobby™
showcases benefits of solar PV systems using PowerTrack

PowerTrackPlus™
custom software development

SolarComplete™
computer modeling of solar PV systems and third party review

Contact Information

AlsoEnergy, LLC
PO Box 17877
Boulder, CO 80308
(303) 875-6311
info@AlsoEnergy.com
www.AlsoEnergy.com

AlsoEnergy provides innovative Energy Service Companies, Solar PV developers, and Solar Power Purchase developers with the tools and information required to insure optimum system operation, with a unique combination of performance monitoring software and professional services.

Patent-pending **PowerTrack™** software offers a secure, low cost solution that immediately detects any problems in a PV installation and issues automated alerts. **PowerTrack™** features easy-to-use graphing and modeling capabilities with detailed analysis of real time and past performance, has the capability to calculate the value of produced solar energy for PPA customers and integrates with most accounting systems.

PowerLobby™ software was developed for organizations that wish to showcase their environmental commitment. This product displays real time PV system data in an attractive and informative presentation. Along with a news feed, the display shows current temperature, wind, sunlight, solar power production, building power consumption and excess power production.

PowerTrackPlus™ provides the services of AlsoEnergy's design engineers to create custom features and provide critical integration with other applications, such as financial and accounting packages.

SolarComplete™ will allow you to have design engineers from AlsoEnergy review your PV system designs, and offer recommendations for improvements and possible modifications to optimize performance of the entire system.

Principals:

Robert Schaefer, P.E., CEO, has over 26 years of high tech experience in Engineering, Operations, Sales and Marketing, where he has held executive positions in a wide variety of industries. Robert graduated from M.I.T. with a Bachelors of Science degree in Electrical Engineering and received his Masters Degree in Control Systems in 1993 from the University of Colorado, Boulder. He is a Professional Engineer in the State of Colorado.

Holden Caine, CTO, has spent his career developing high performance, low cost web-based online software solutions for the digital imaging market. As Vice President of Software Development for FujiFilm, USA, he architected web based image-processing systems for commercial and consumer markets. Prior to that, Holden worked at Applied Graphics Technologies and the Eastman Kodak research labs. He graduated with a Bachelors of Science degree in Computer Engineering from the Rochester Institute of Technology.